

GLASS ORDER SHEET

**RIGHT HUNG DOOR**

Customer Name

Order Number

Job Reference

Date

mm Clear Toughened

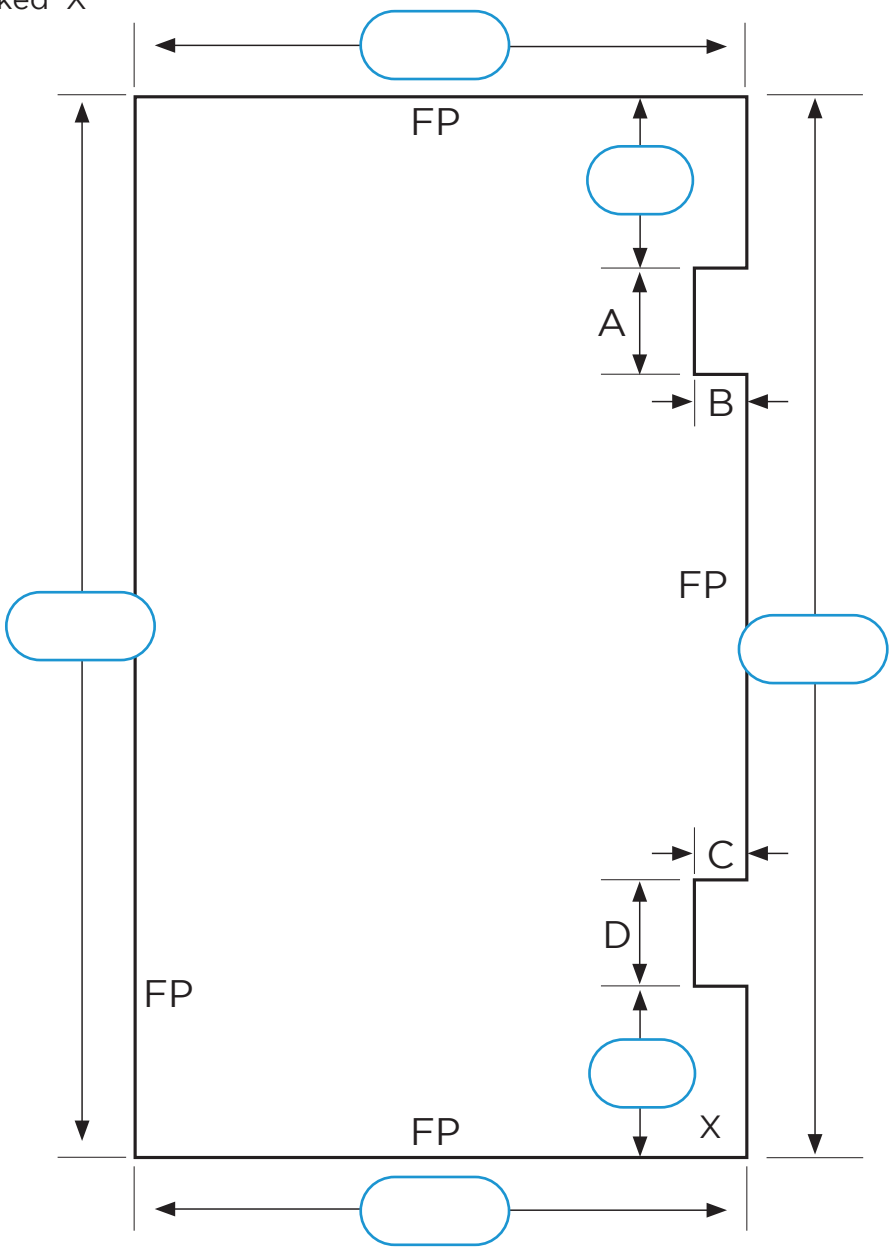
Toughened Glass Stamp – marked 'X'

Edges as marked 'FP'

**IMPORTANT**

Please draw your handle placement and hole dimensions (mm) on shower panel

Please list special instructions below



Hinge notches:

A  B  C  D

**LEFT HUNG DOOR**

Customer Name

Order Number

Job Reference

Date

mm Clear Toughened

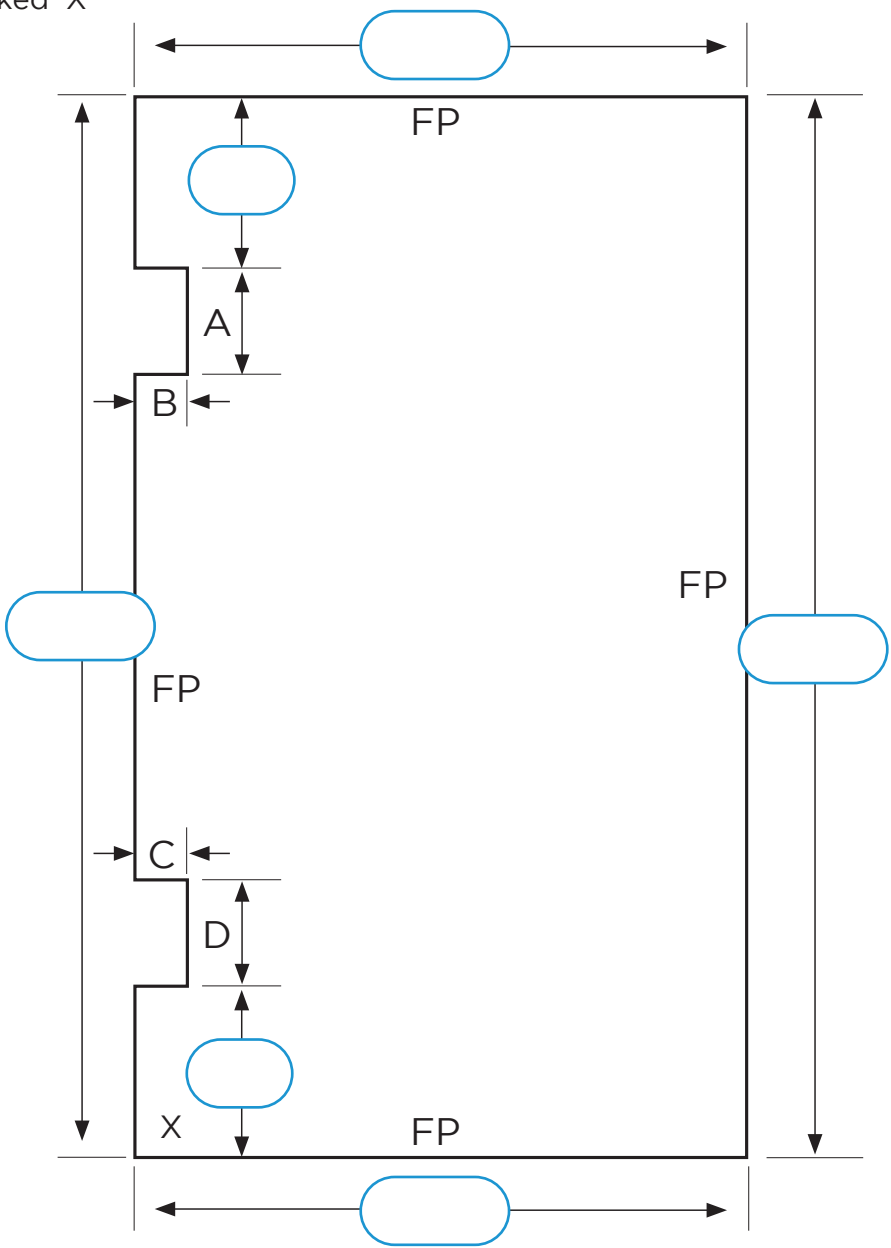
Toughened Glass Stamp – marked 'X'

Edges as marked 'FP'

**IMPORTANT**

Please draw your handle placement and hole dimensions (mm) on shower panel

Please list special instructions below



Hinge notches:

A  B  C  D

GLASS ORDER SHEET



PLAIN SIDELIGHT PANEL

Customer Name

Order Number

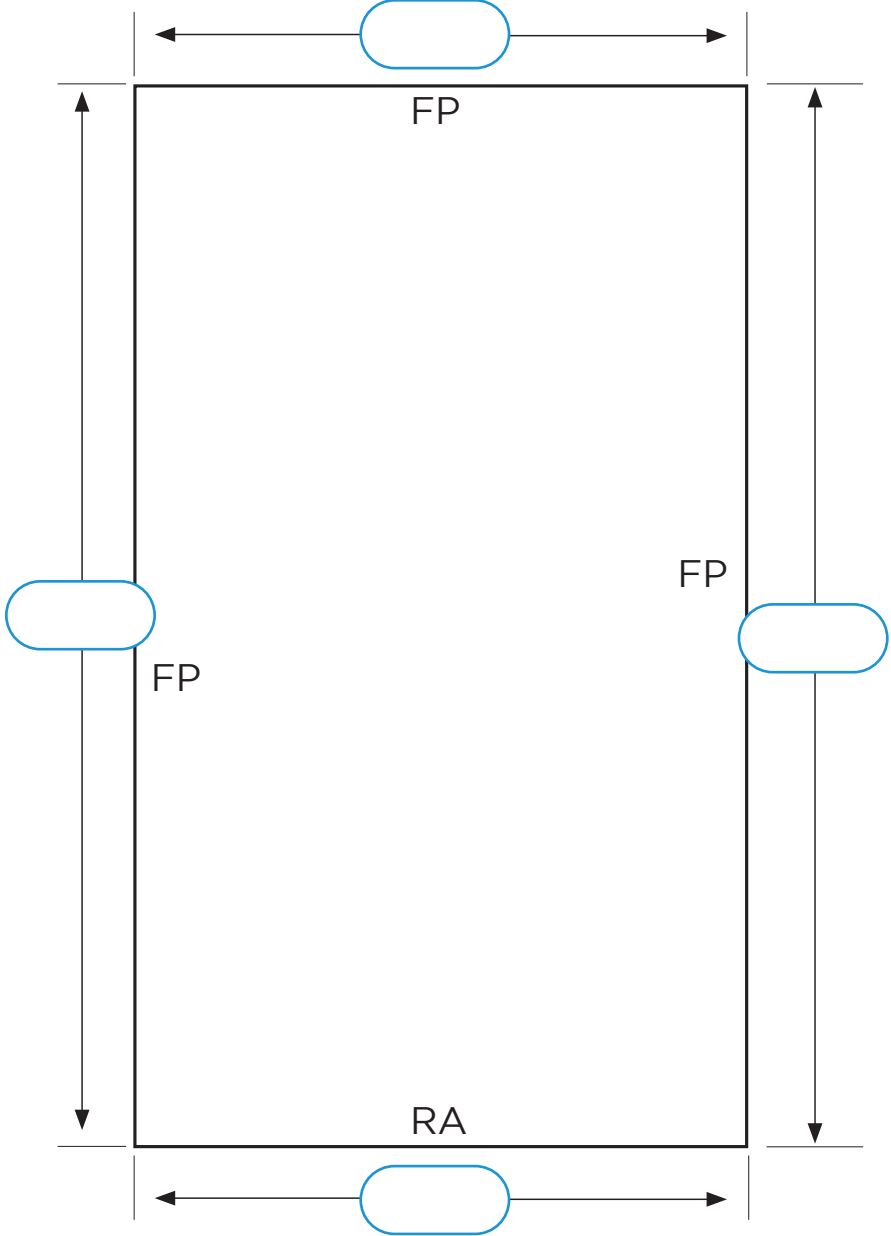
Job Reference

Date

mm Clear Toughened

Mark Toughened Glass Stamp position with 'X'  
Edges as marked 'FP'/'RA'

Please list special instructions below



**RIGHT SIDELIGHT WITH POLISHED BACK MITRE**

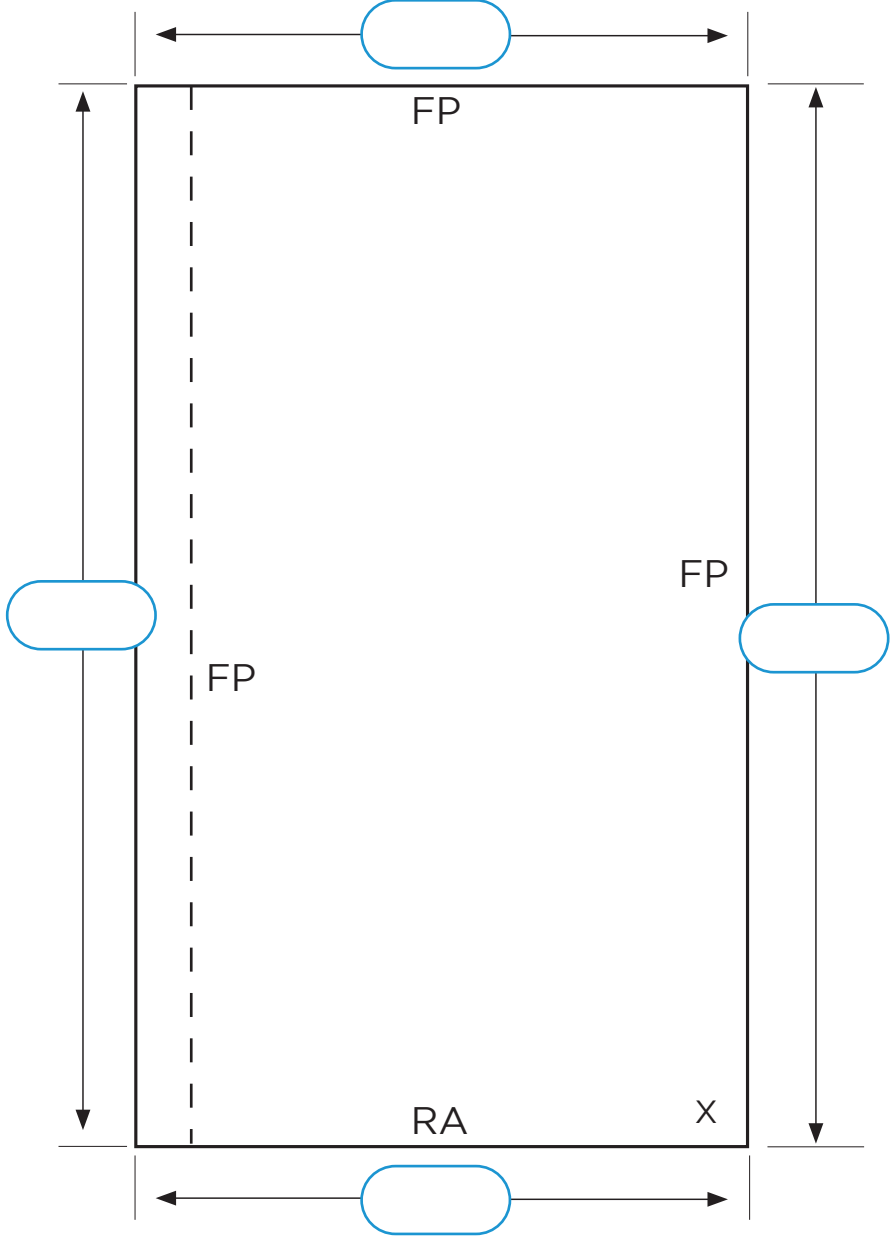
Customer Name  Order Number

Job Reference  Date

mm Clear Toughened  degree polished backmitre

Toughened Glass Stamp – marked 'X'  
Edges as marked 'FP'/'RA'

Please list special instructions below



**LEFT SIDELIGHT WITH POLISHED BACK MITRE**

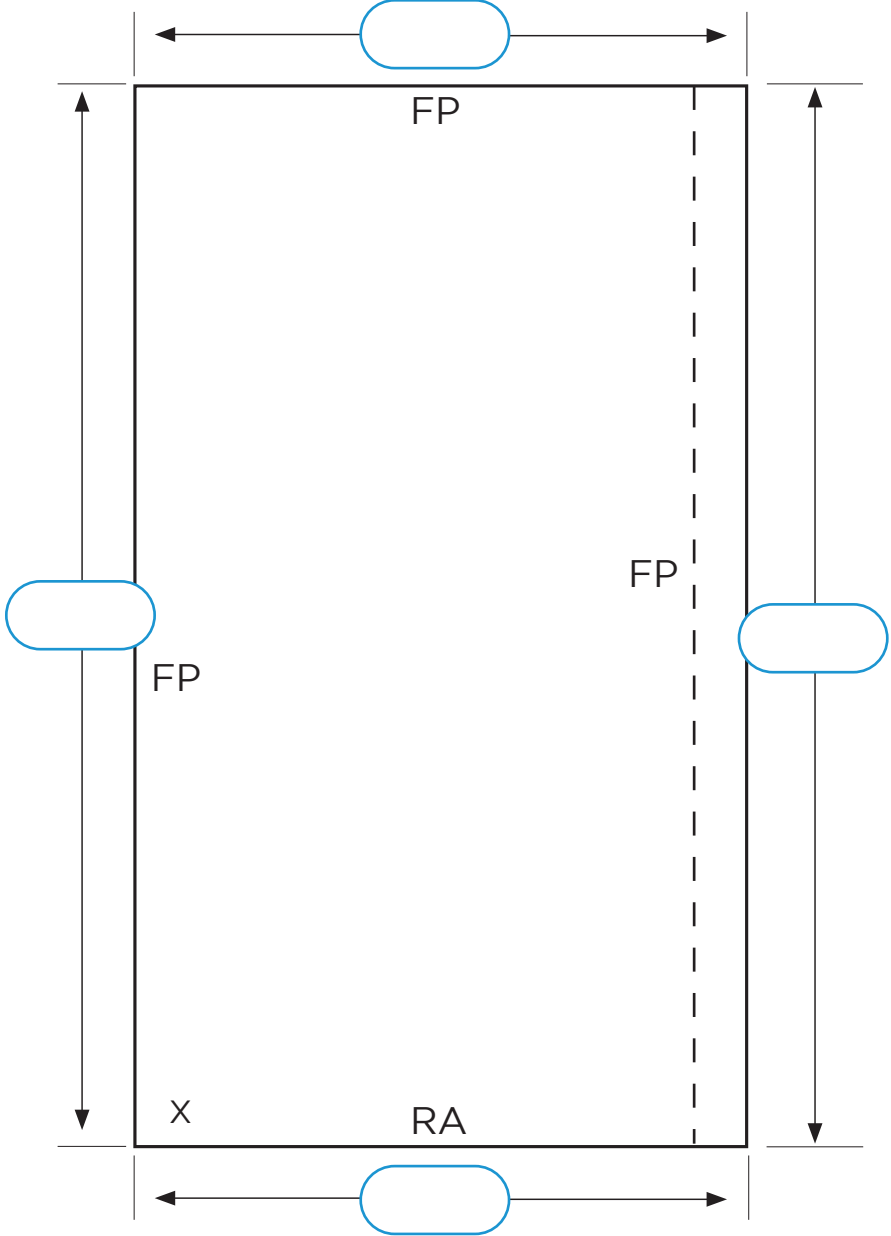
Customer Name  Order Number

Job Reference  Date

mm Clear Toughened  degree polished backmitre

Toughened Glass Stamp – marked 'X'  
Edges as marked 'FP'/'RA'

Please list special instructions below



**RIGHT SIDELIGHT HINGE PANEL WITH BACKMITRE**

Customer Name  Order Number

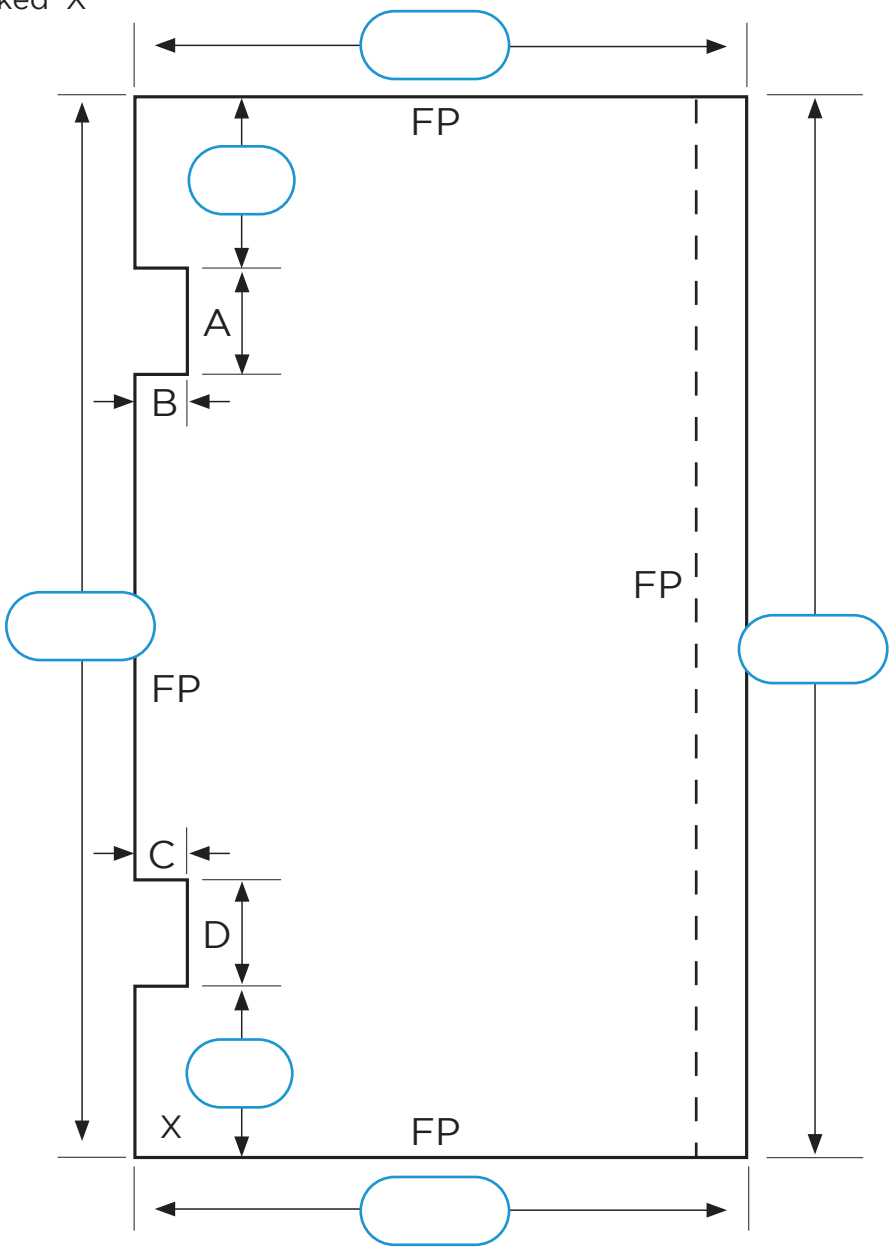
Job Reference  Date

mm Clear Toughened  degree polished backmitre

Toughened Glass Stamp – marked 'X'

Edges as marked 'FP'

Please list special instructions below



Hinge notches:  
 A  B  C  D

**LEFT SIDELIGHT HINGE PANEL WITH BACKMITRE**

Customer Name  Order Number

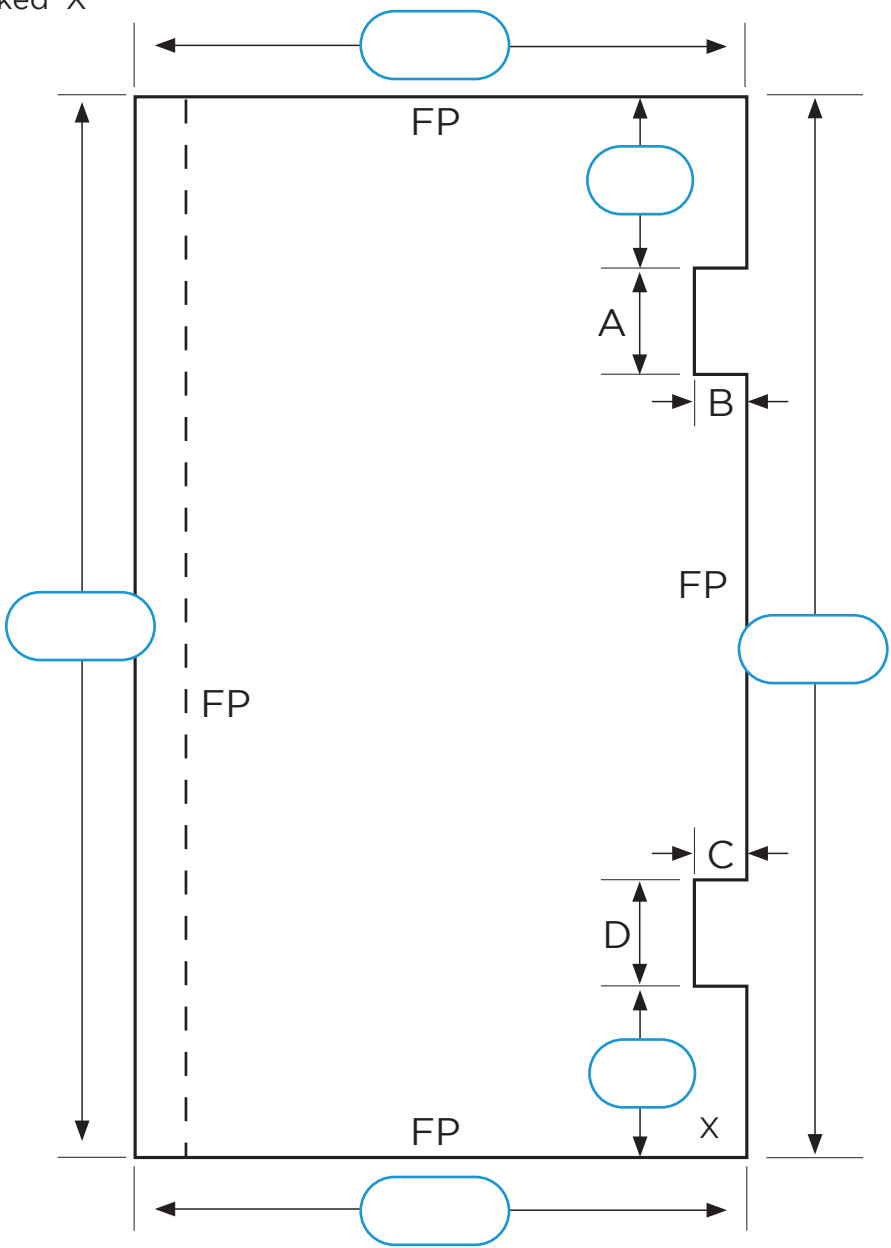
Job Reference  Date

mm Clear Toughened  degree polished backmitre

Toughened Glass Stamp – marked 'X'

Edges as marked 'FP'

Please list special instructions below



Hinge notches:  
 A  B  C  D

**SIDELIGHT WITH TWO BACKMITRES**

Customer Name

Order Number

Job Reference

Date

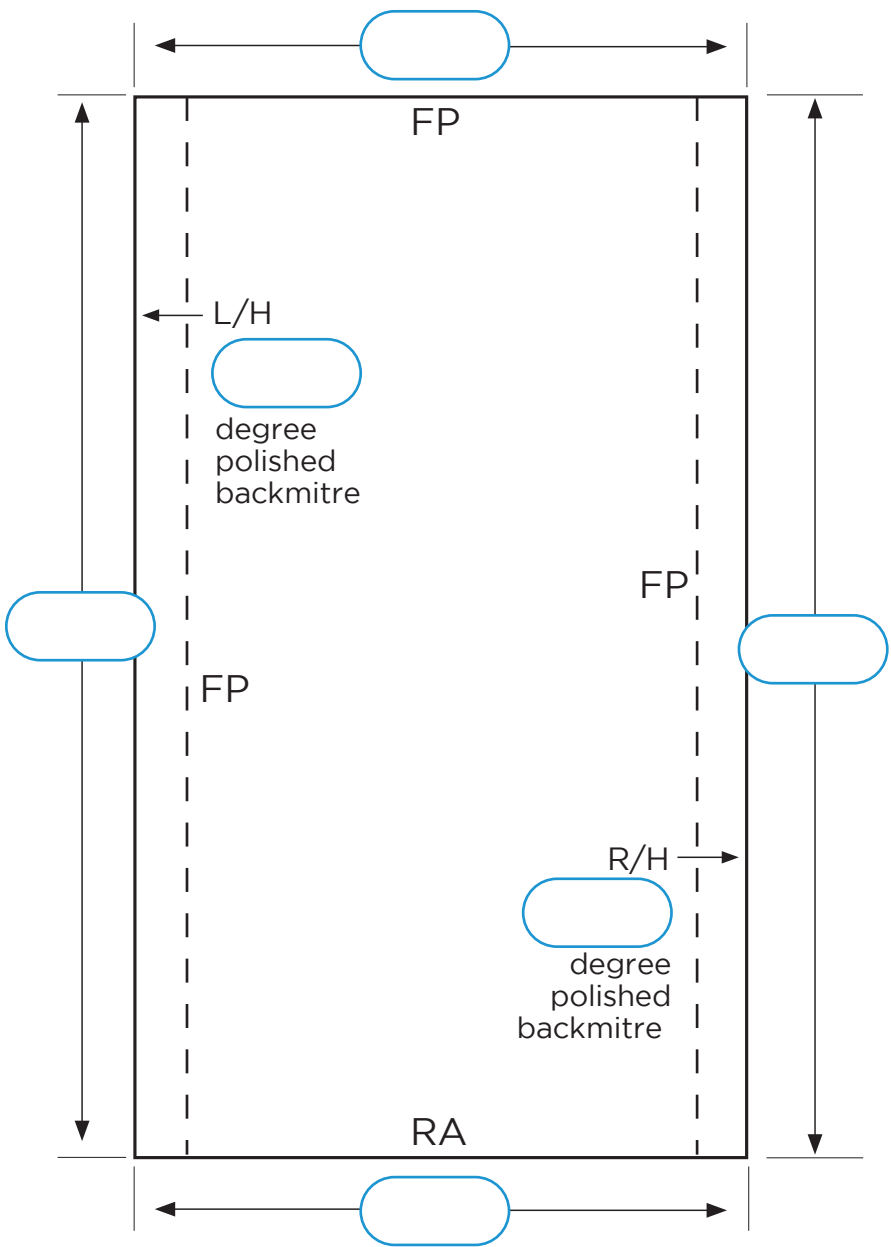
mm Clear Toughened

Mark Toughened Glass Stamp position with 'X'

Edges as marked 'FP'/'RA'

Note left hand and right hand backmitre angles

Please list special instructions below





**PLAIN RIGHT RETURN PANEL**

Customer Name

Order Number

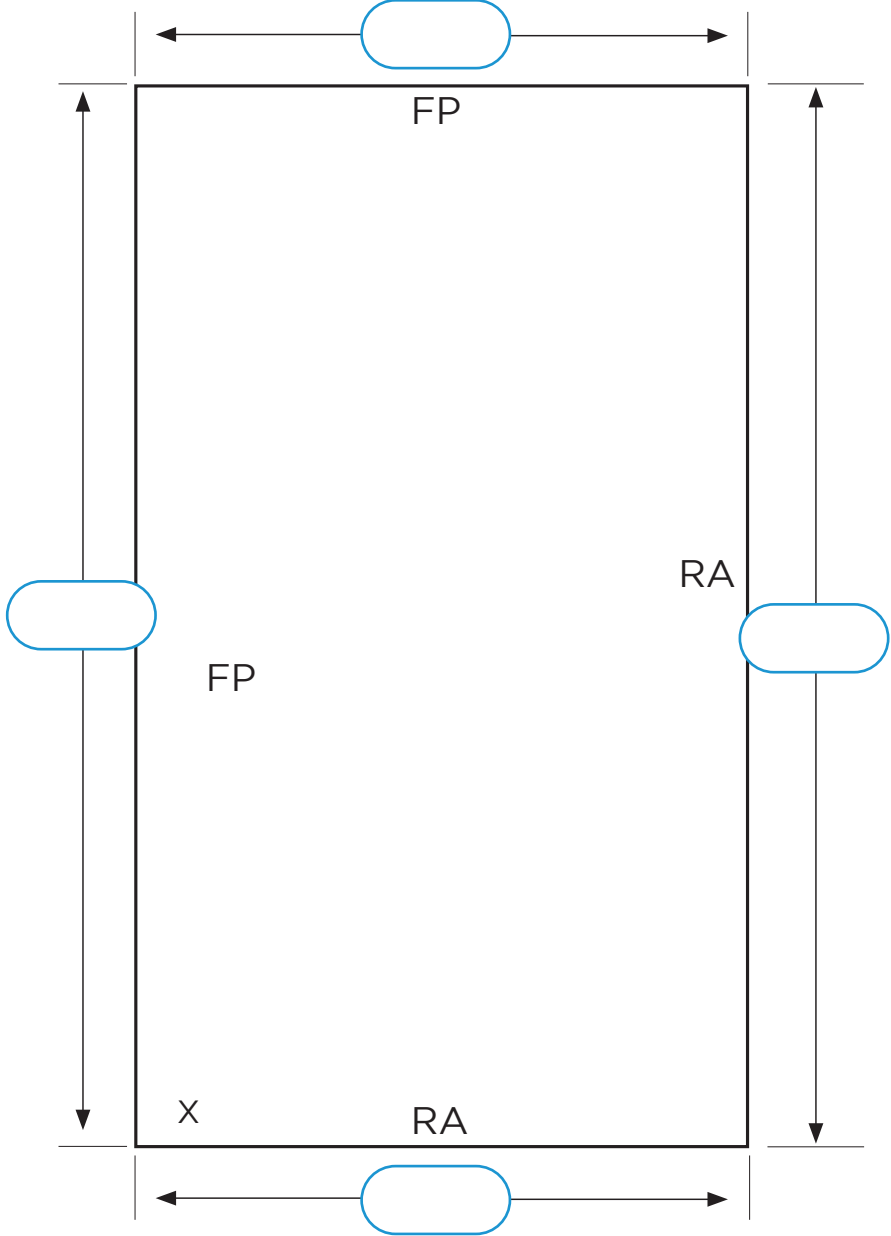
Job Reference

Date

mm Clear Toughened

Toughened Glass Stamp – marked 'X'  
Edges as marked 'FP'/'RA'

Please list special instructions below



**PLAIN LEFT RETURN PANEL**

Customer Name

Order Number

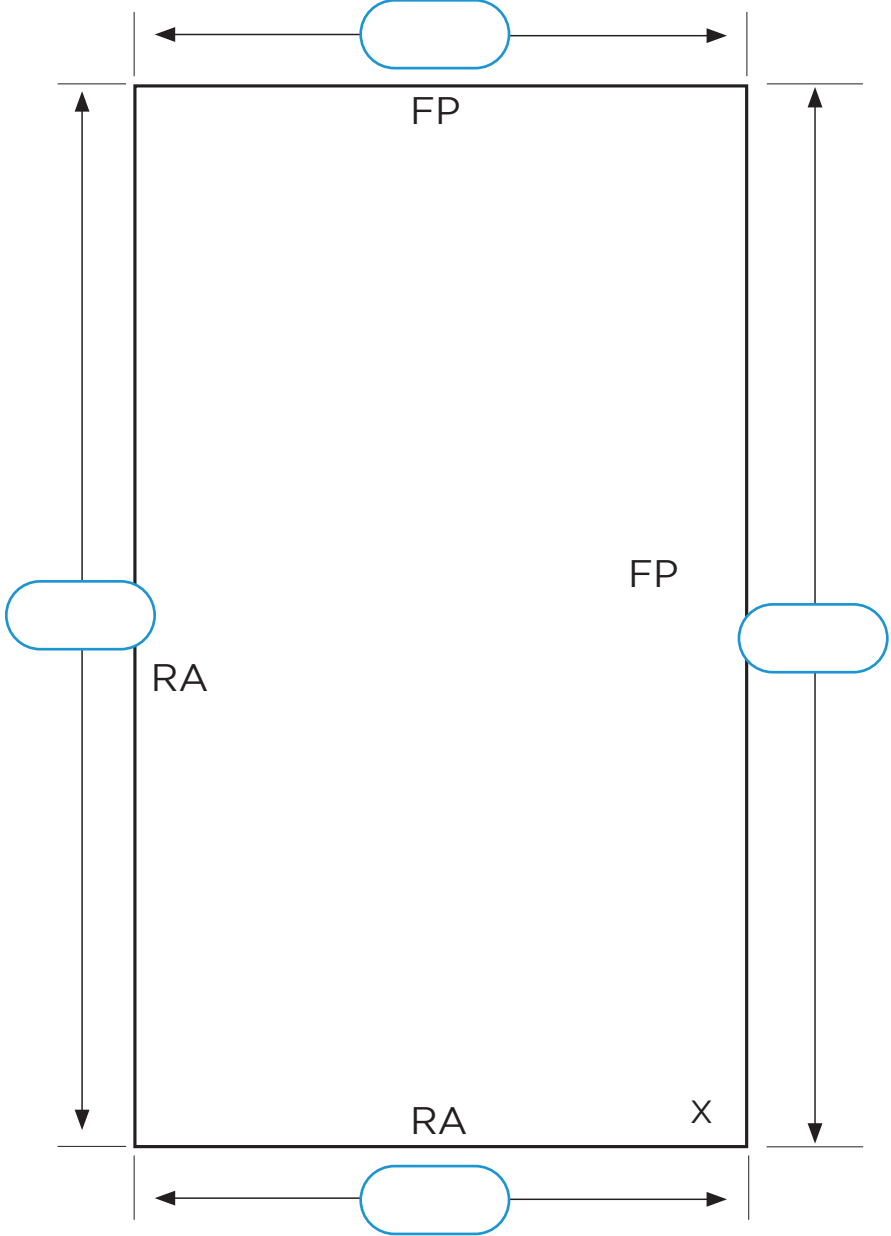
Job Reference

Date

mm Clear Toughened

Toughened Glass Stamp – marked 'X'  
Edges as marked 'FP'/'RA'

Please list special instructions below



GLASS ORDER SHEET

**RIGHT SIDE HINGE PANEL**

Customer Name

Order Number

Job Reference

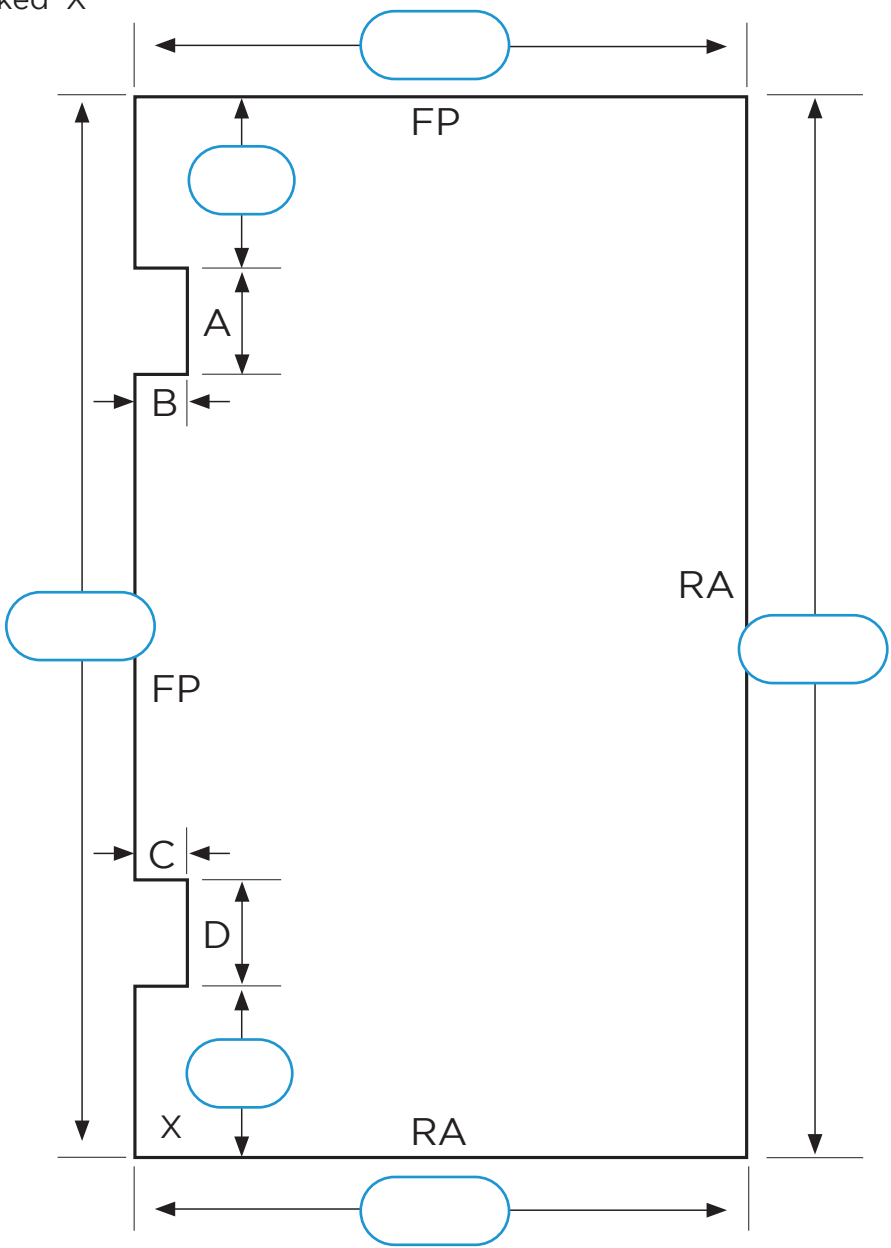
Date

mm Clear Toughened

Toughened Glass Stamp – marked 'X'

Edges as marked 'FP'

Please list special instructions below



Hinge notches:

A  B  C  D

GLASS ORDER SHEET

**LEFT SIDE HINGE PANEL**

Customer Name

Order Number

Job Reference

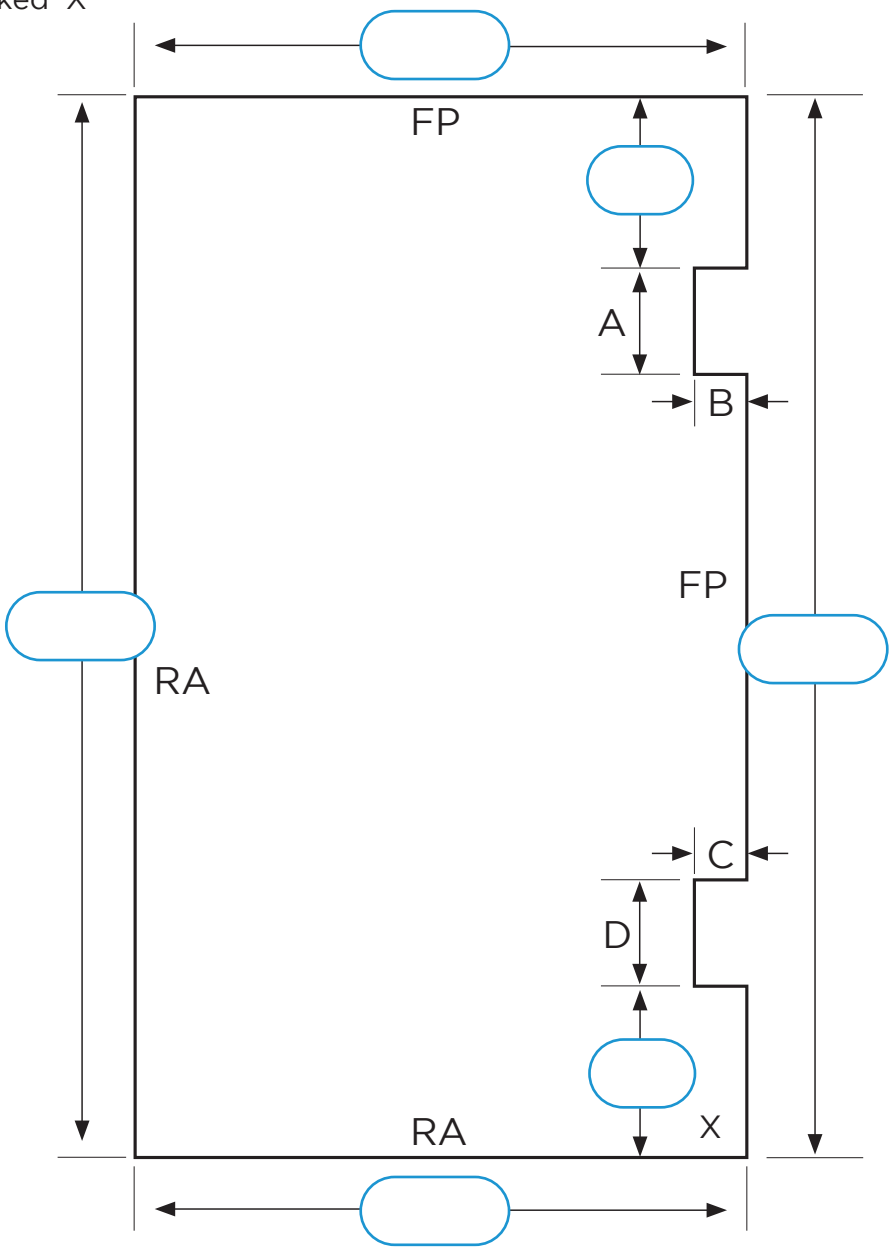
Date

mm Clear Toughened

Toughened Glass Stamp – marked 'X'

Edges as marked 'FP'

Please list special instructions below



Hinge notches:

A  B  C  D

**RIGHT BACKMITRED RETURN HINGE PANEL**

Customer Name

Order Number

Job Reference

Date

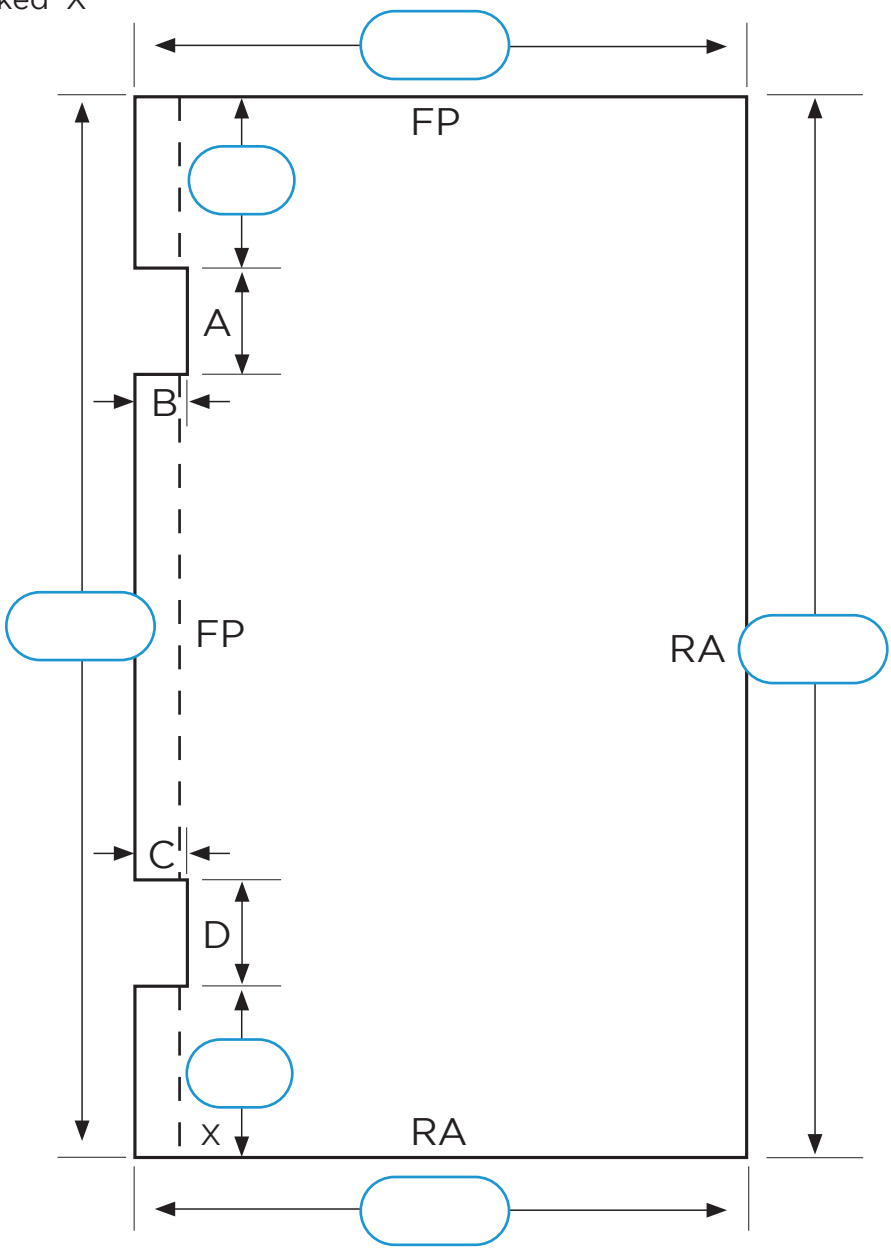
mm Clear Toughened

Toughened Glass Stamp – marked 'X'

45 degree polished backmitre

Edges as marked 'FP'/'RA'

Please list special instructions below



Hinge notches:

A  B  C  D

**LEFT BACKMITRED RETURN HINGE PANEL**

Customer Name

Order Number

Job Reference

Date

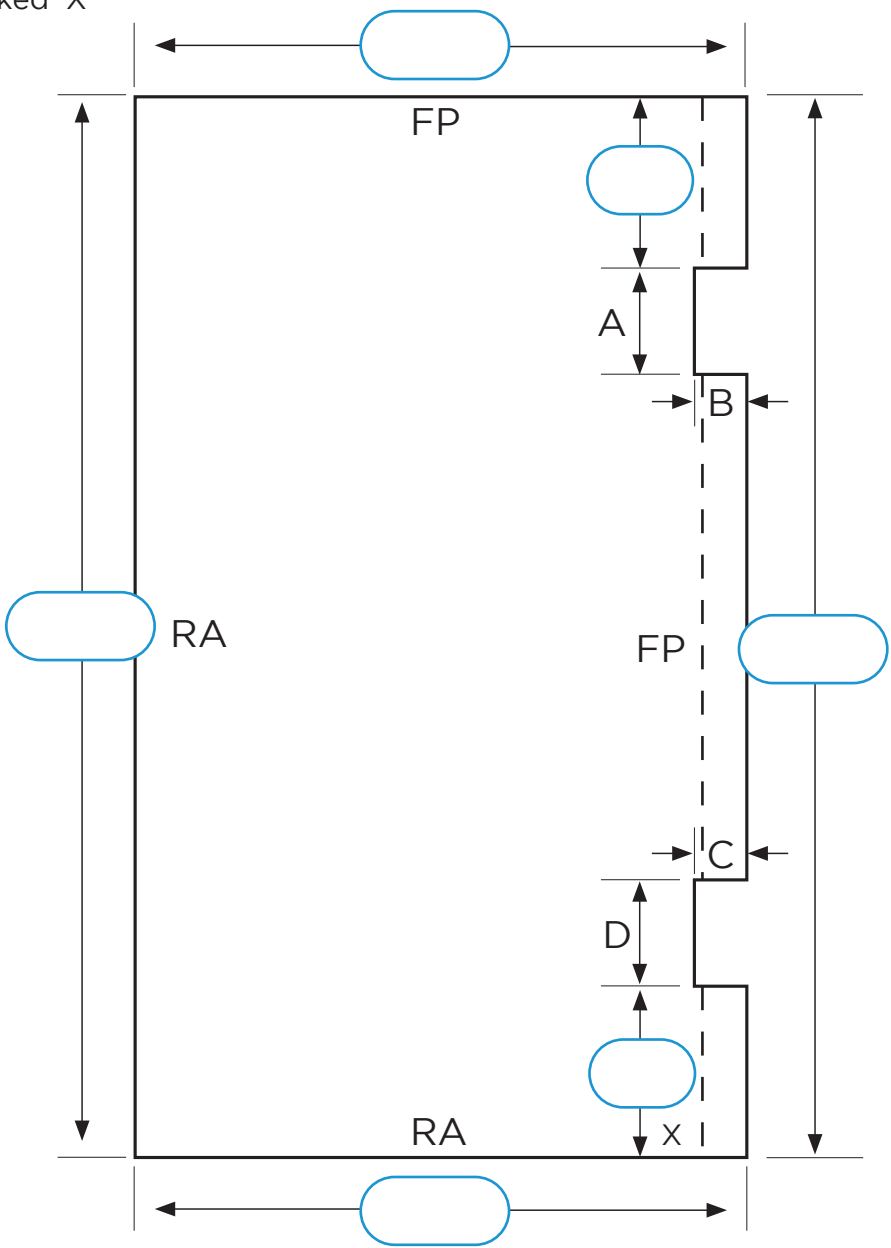
mm Clear Toughened

Toughened Glass Stamp – marked 'X'

45 degree polished backmitre

Edges as marked 'FP'/'RA'

Please list special instructions below



Hinge notches:

A  B  C  D

**RIGHT NOTCHED SIDE PANEL**

Customer Name

Order Number

Job Reference

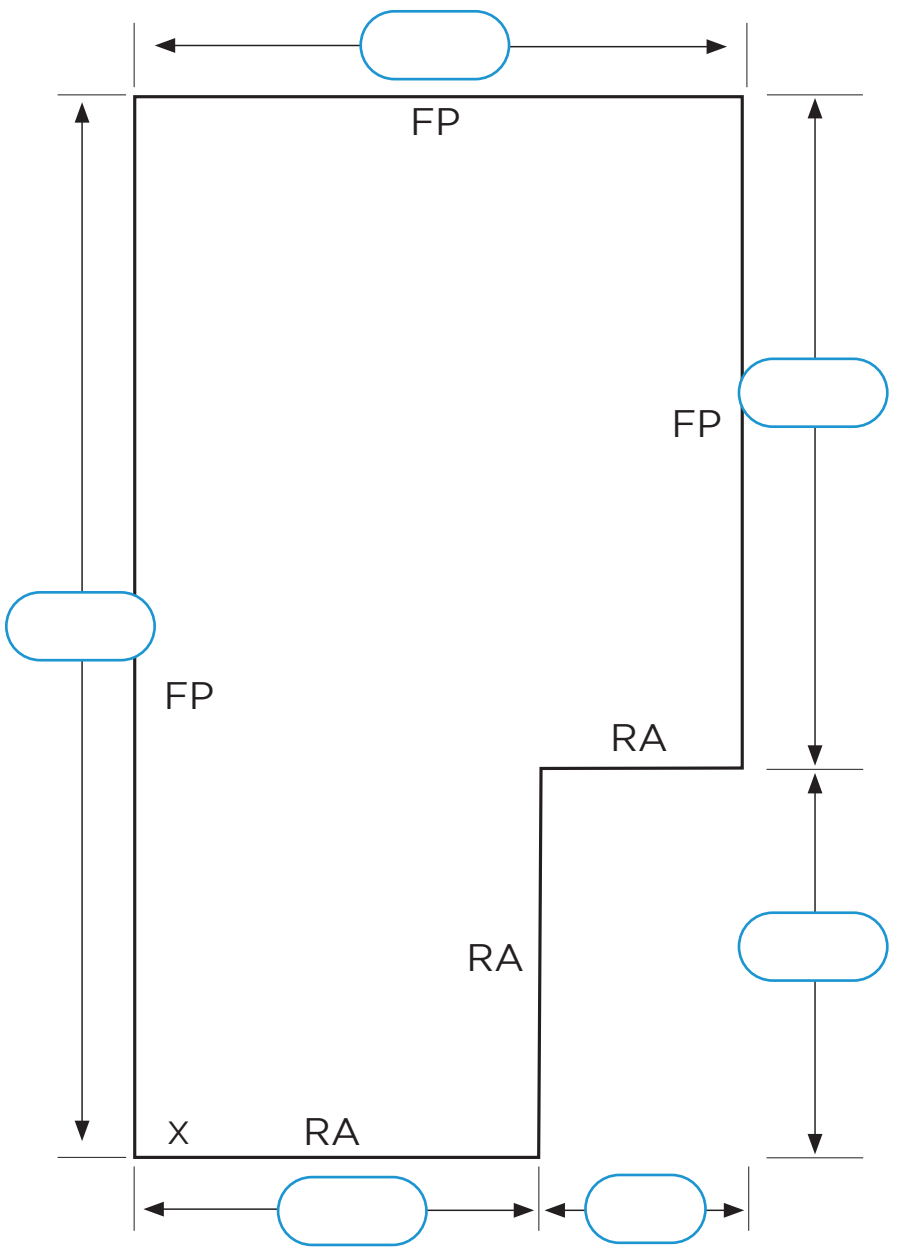
Date

mm Clear Toughened

Toughened Glass Stamp – marked 'X'

Edges as marked 'FP'/'RA'

Please list special instructions below



**LEFT NOTCHED SIDE PANEL**

Customer Name

Order Number

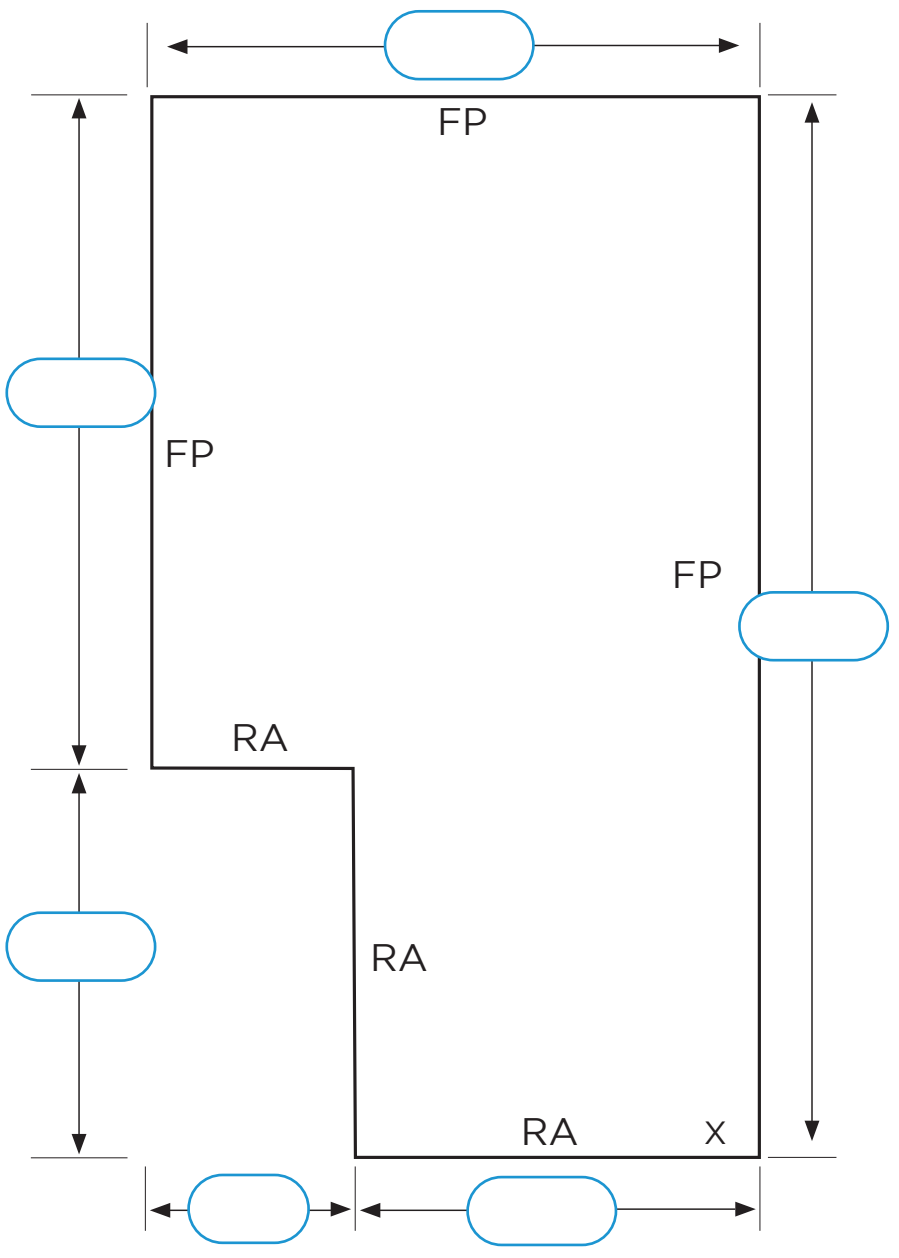
Job Reference

Date

mm Clear Toughened

Toughened Glass Stamp – marked 'X'  
Edges as marked 'FP'/'RA'

Please list special instructions below





**RIGHT NOTCHED RETURN HINGE PANEL**

Customer Name

Order Number

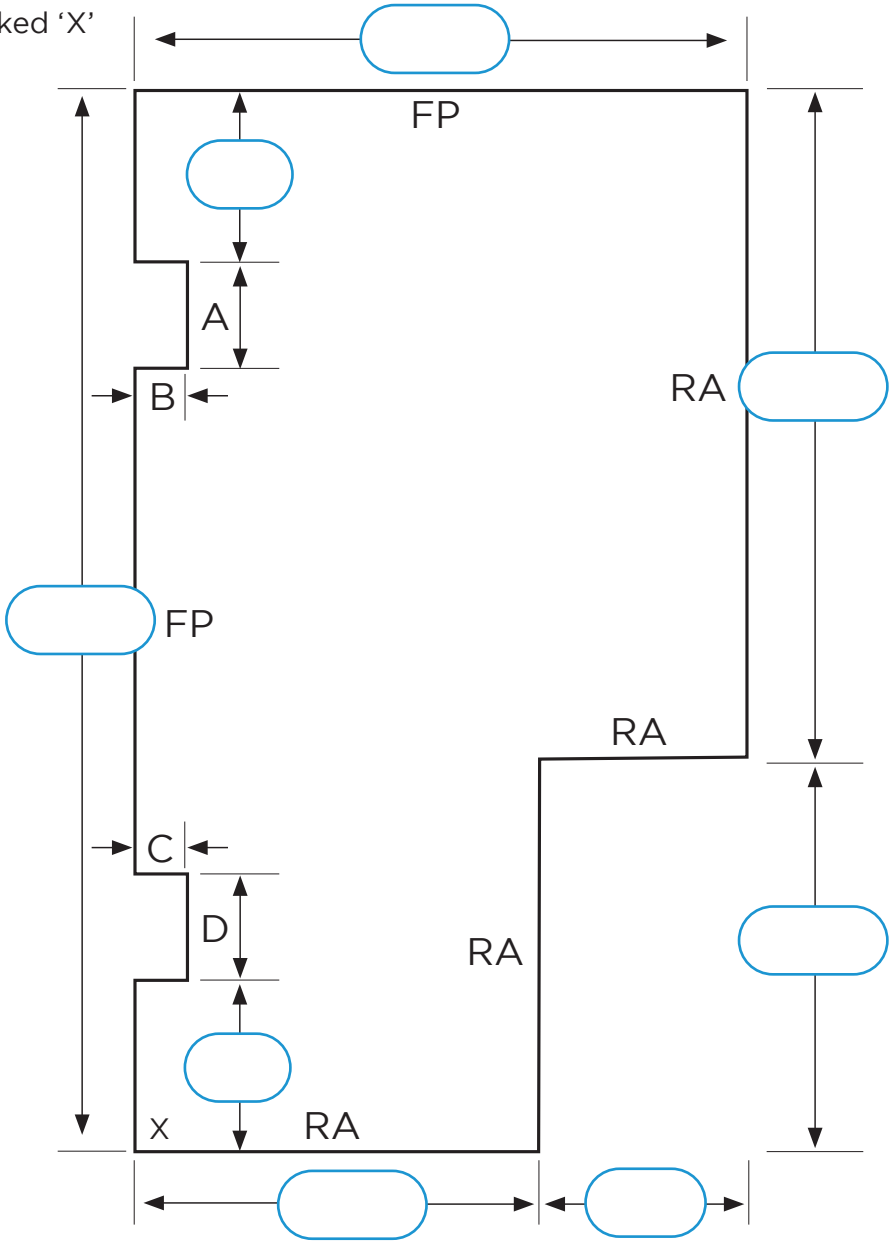
Job Reference

Date

mm Clear Toughened

Toughened Glass Stamp – marked 'X'  
Edges as marked 'FP'/'RA'

Please list special instructions below



Hinge notches:

A  B  C  D

**LEFT NOTCHED RETURN HINGE PANEL**

Customer Name

Order Number

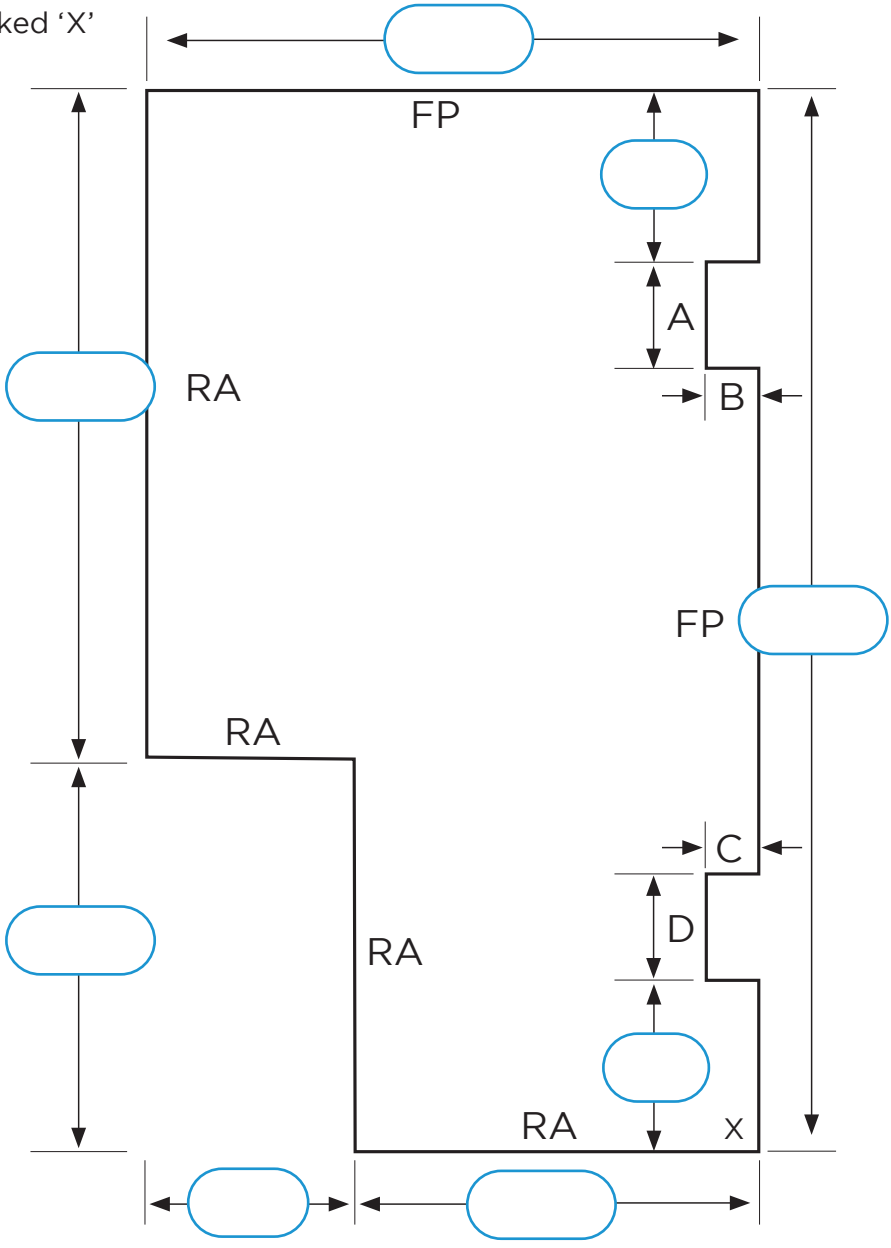
Job Reference

Date

mm Clear Toughened

Toughened Glass Stamp – marked 'X'  
Edges as marked 'FP'/'RA'

Please list special instructions below



Hinge notches:

A  B  C  D

**RIGHT NOTCHED RETURN HINGE PANEL WITH BACKMITRE**

Customer Name

Order Number

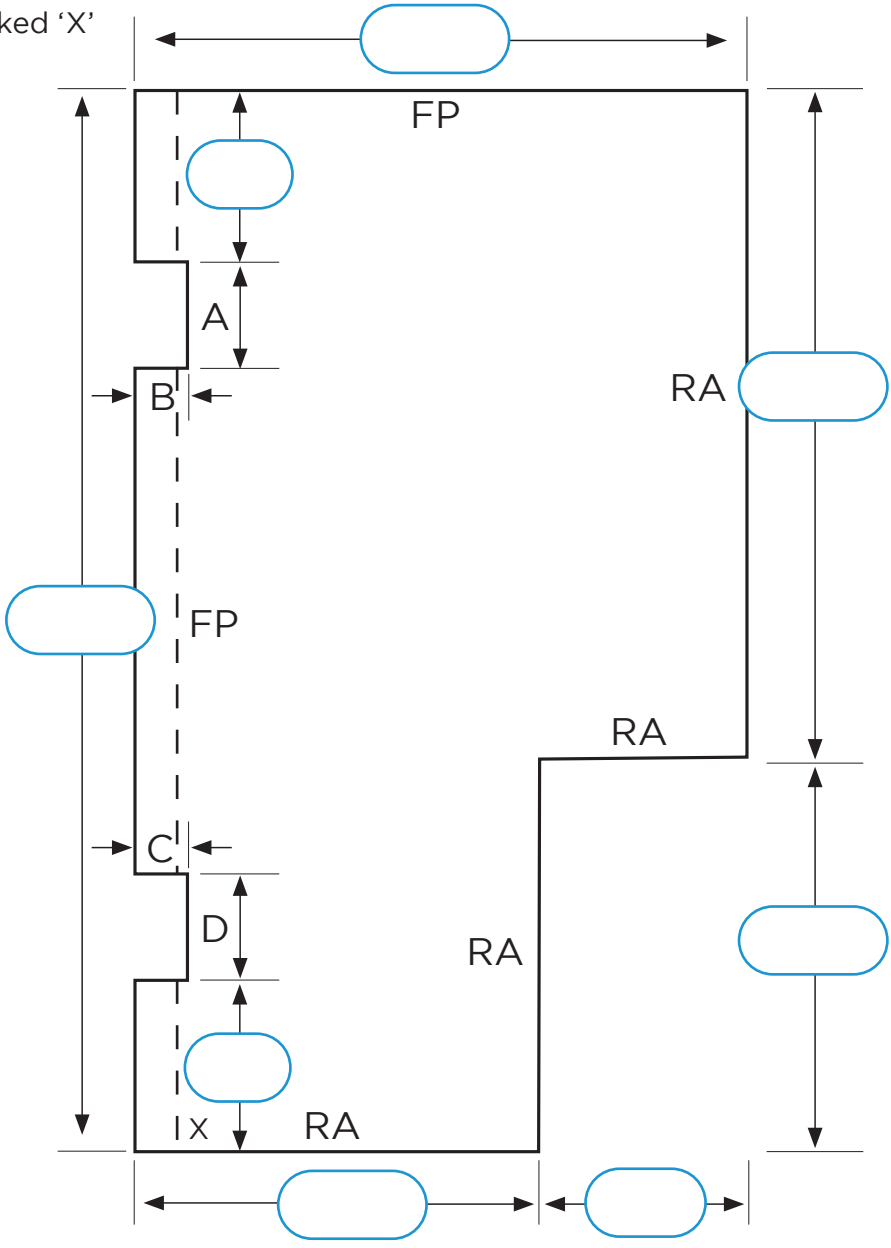
Job Reference

Date

mm Clear Toughened

Toughened Glass Stamp – marked 'X'  
 Edges as marked 'FP'/'RA'  
 45 degree polished backmitre

Please list special instructions below



Hinge notches:

A  B  C  D

**LEFT NOTCHED RETURN HINGE PANEL WITH BACKMITRE**

Customer Name

Order Number

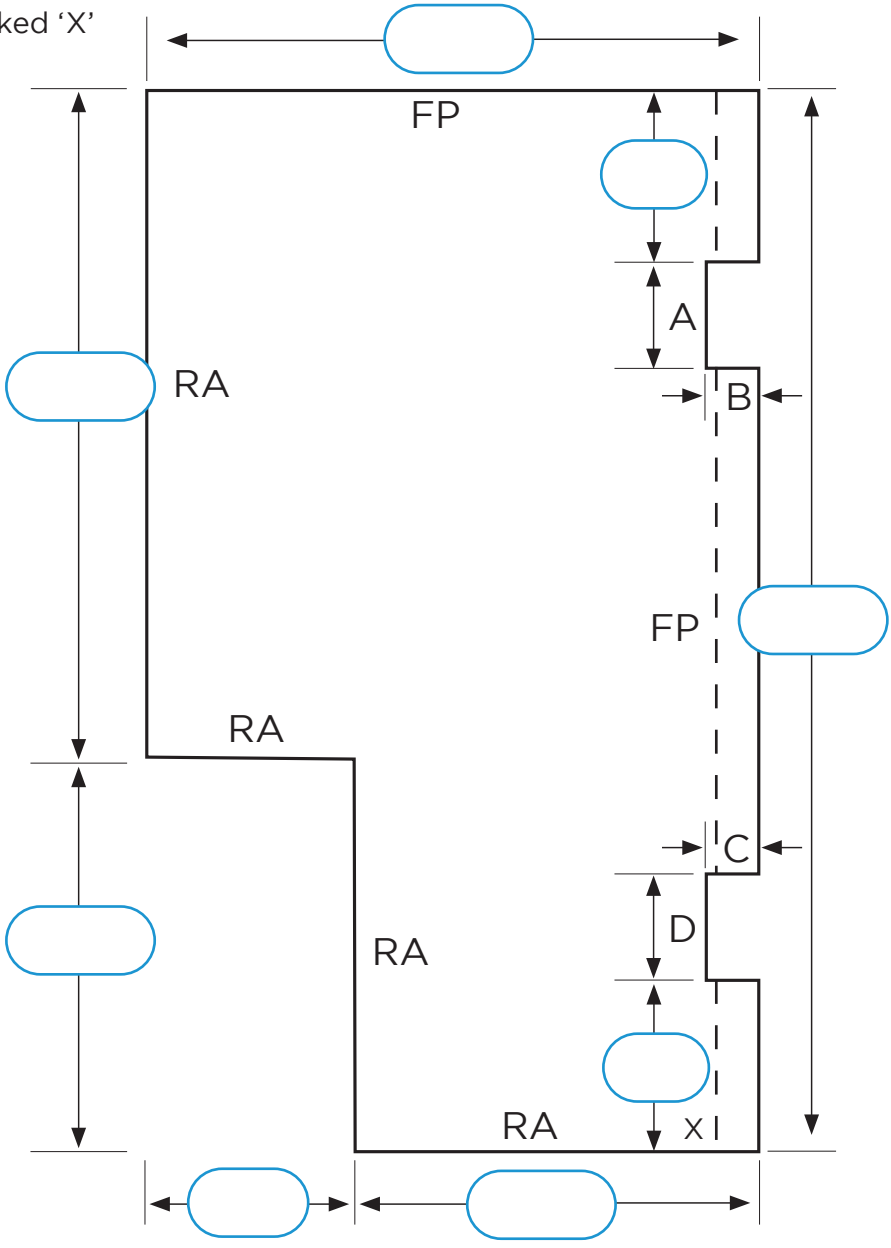
Job Reference

Date

mm Clear Toughened

Toughened Glass Stamp – marked 'X'  
Edges as marked 'FP'/'RA'  
45 degree polished backmitre

Please list special instructions below



Hinge notches:

A  B  C  D

GLASS ORDER SHEET



HEAD BRACE

Customer Name

Order Number

Job Reference

Date

mm Clear Toughened

Toughened Glass Stamp – marked 'X'  
Edges as marked 'FP'/'RA'

**Note:** This diagram is based on equal and even angles.  
If this can not be achieved please supply a template.

Please list special instructions below

